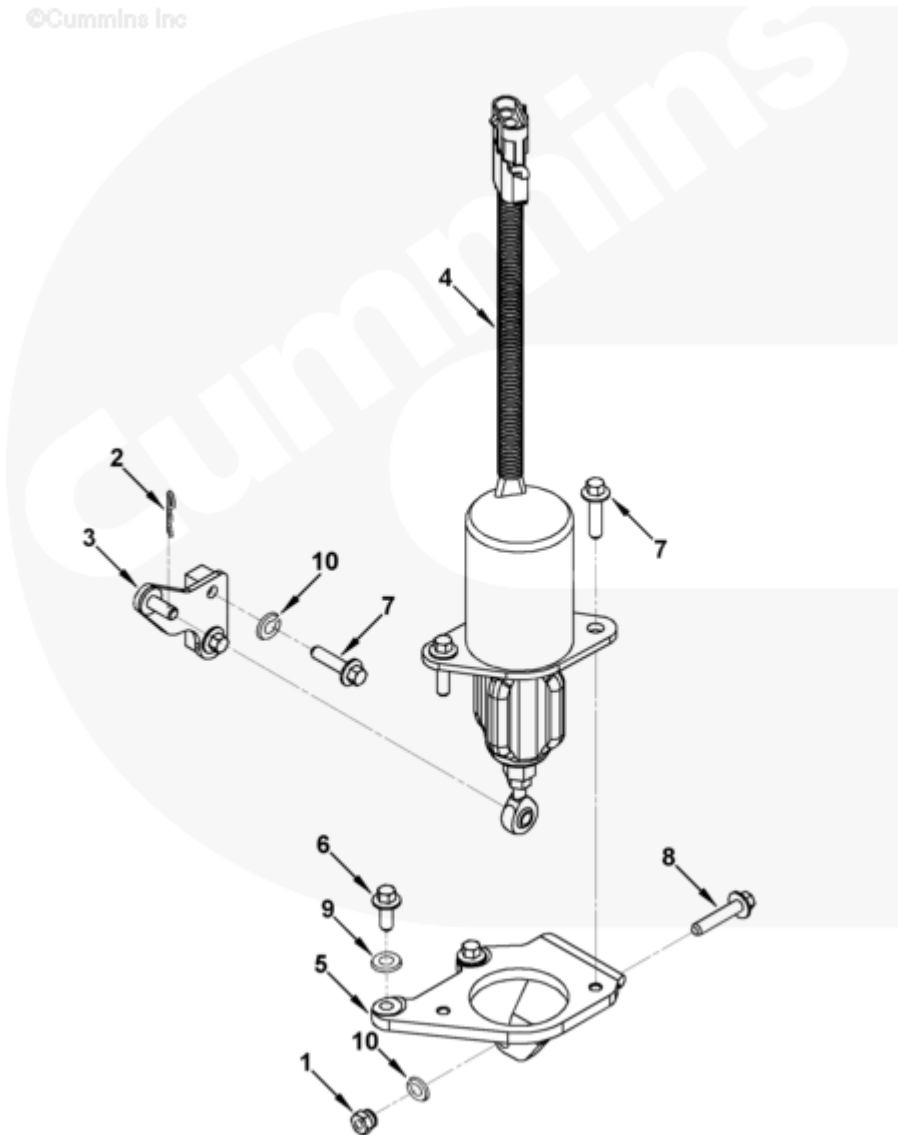




Parts Catalog - Option Detail

Electronic Parts Catalog - Option Detail				
Option	Group	Graphic	Film Card	Date
FV9233-03	05.06	fv956gb	T	13-MAR-03
Engines	4B3.9, 6A3.4, 6B5.9, B GAS INTERNATIONAL CM556, B4.5, B4.5 CM2350 B129B, B4.5 CM2350 B146C, B4.5 CM2350 B147B, B4.5 RGT, B4.5S, B5.9 G, B5.9 GAS PLUS CM556, B5.9 LPG, B5.9 LPG PLUS CM556, B6.7 CM2350 B121B, B6.7 CM2350 B135B, B6.7 CM2350 B136C, B6.7 CM2350 B148B, B6.7 G CMOH6.0 B125, B6.7N CM2380 B150B, B6.7S, F3.8 CM2350 F120B, F3.8 CM2350 F128C, F3.8 CM2350 F132B, F3.8 F102, G3.9, G5.9, G5.9 CM558, ISB (CHRYSLER), ISB CM2150, ISB CM2150 E, ISB CM550, ISB CM850, ISB/ISD4.5 CM2150 B119, ISB/ISD4.5 CM2150 SN, ISB/ISD6.7 CM2150 B120, ISB/ISD6.7 CM2150 SN, ISB/ISD6.7 CM2880 B126, ISB3.9 CM2220 B107, ISB4.5 CM2150, ISB5.9G CM2180, ISB6.7 2010 DCX PICKUP, ISB6.7 2013 DCX CHASSIS CAB, ISB6.7 CM2150 SQ, ISB6.7 CM2250, ISB6.7 CM2350 B101, ISB6.7 CM2350 B103, ISB6.7 CM2350 B142, ISB6.7 CM2670 B153B, ISB6.7 G CM2180 B118, ISBE CM2150, ISBE CM800, ISBE2/ISBE3 CM850, ISBE4 CM850, ISD4.5 CM2150, ISD6.7 CM2880 D101, ISF2.8 CM2220, ISF2.8 CM2220 AN, ISF2.8 CM2220 EC, ISF2.8 CM2220 ECF2, ISF2.8 CM2220 F101, ISF2.8 CM2220 F117, ISF2.8 CM2220 F122, ISF2.8 CM2220 F126, ISF2.8 CM2220 F129, ISF2.8 CM2220 IAN, ISF3.8 CM2220, ISF3.8 CM2220 AN, ISF3.8 CM2220 F103, ISF3.8 CM2220 F110, ISF3.8 CM2220 F116, ISF3.8 CM2220 F134B, ISF3.8 CM2220 IAN, ISF3.8 CM2350 F109, ISF4.5 CM2220 F123, ISG11 CM2880 G106, ISG11 CM2880 G108, ISG12 CM2880 G107, ISG12 CM2880 G109, ISG12 G CMOH6.0 G111, QSB3.9 30 CM550, QSB3.9 CM2880 B138, QSB4.5 30 CM550, QSB4.5 CM2150 B108, QSB4.5 CM2250 B131, QSB4.5 CM2250 EC, QSB4.5 CM2350 B106, QSB4.5 CM2350 B122			



fv956gb

SMALL | MEDIUM | LARGE

Cart	Ref No	Part Number	Part Description	Required	Remarks
View My Cart					
		FV9233-03	Fuel Shut-Off Valve		Fuel Shutoff Valve...(More)
					Valve Activation: Electrical
					Voltage: 12
					Valve Manufacturer: Syncro-
					Start
					Solenoid Location: High
					Shutoff Valve Supplier:
					Cummins
					Solenoid Activation: ATR

					Unique Characteristics:
					Premium Solenoid with
					Standard Connector
					Cylinders: 6
					Boot Type: Constant Volume
					Solenoid Connection Type:
					Direct Link Spherical Rod End
					Bearing
					Shutdown Lever Hole Count: 3
					Solenoid Bracket Mounted
					Location: Fuel Pump Vertical
					Fuel Pump Manufacturer/Model:
					Bosch P3000
					Bosch P7100
					Pump Governor Type: RQVK
					Engine Family:
					"B" Series
					"C" Series
					DEP Substitutes Locknut
					3920893 for 3910959.
					Rod End and CV Boot Must not
					BE Painted.
					Solenoid requires 8.5V Min
					for Heat Soaked Activation.
<input type="checkbox"/>	1	3910959	Lock Nut	1	M6 X 1.00.
<input type="checkbox"/>	2	3919449	Cotter Pin	1	
<input type="checkbox"/>	3	3922832	Shut-Off Valve Lever	1	
<input type="checkbox"/>	4	3935649	Fuel Pump Solenoid	1	See SPT 99T5-27
<input type="checkbox"/>	5	3965494	Solenoid Bracket	1	

<input type="checkbox"/>	6	3936683	Hexagon Flange Head Cap Screw	2	M6 X 1.00 X 16.
<input type="checkbox"/>	7	3936684	Hexagon Flange Head Cap Screw	4	
<input type="checkbox"/>	8	3936685	Hexagon Flange Head Cap Screw	1	
<input type="checkbox"/>	9	3529610	Plain Washer	2	
<input type="checkbox"/>	10	S 600	Lock Washer	3	1/4 in.
<input type="checkbox"/>	5	3935653	Solenoid Bracket	1	Replace with (1) 3965494
					Bracket and (2) 3529610
					Washers (Washers to be
					Fitted Under Each of the 2
					3936684 Flange Head cap
					Screws Which Mount the
					Bracket)
<input type="checkbox"/>	9	3529610	Plain Washer	2	